

FEATURES

The WM25 offers more capacity than many other competitive spin-ons but are dimensionally smaller than traditional in-line filters.

The WM25 is completely interchangeable with several other competitive filters in fit, form, and function, as are the replacement elements.

R-Pak™ microglass media is available with ratings of 5μ(c), 10μ(c) and 20μ(c).

Elements are available in 5.5" (assembly length code 1) and 9.5" (assembly code length 3) and are compatible with petroleum oils, water glycol, oil/water, HWCF, and certain synthetic fluids.

Technical Data:

Maximum Working Pressure	1,000 PSI (69 bar)
Rated Burst Pressure	2,000 PSI (138 bar)
Temperature Range	(-) 20° F to (+)250° F (-) 29° C to (+)121° C
Head Material	Die cast aluminum
Element Housing	Steel
Weight	
Assembly code length 1	3.3 Lbs (1.5kg)
Assembly code length 3	4.2 Lbs (1.9kg)

WM25 25 gpm (95 l/min)

Excellent choice for hydrostatic charge pump filtration for primary pump protection

Bypass options from 5 PSID to 50 PSID

Wide range of electrical and visual ΔP indicators

Compatible with various fluids

Wide operating temperature range

Compact size and light weight for rated flow capacity

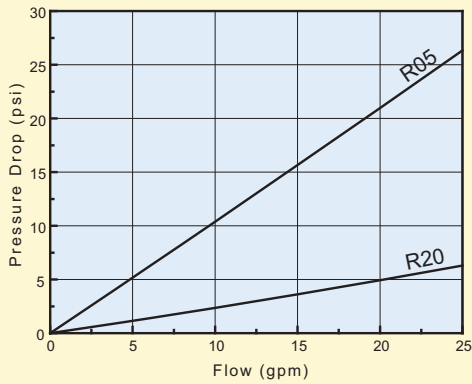


Housing and Filter Element

Flow versus Pressure Drop

150 SUS (32 cSt.) oil with specific gravity ≤ 0.9

WM25 Element Only (5.5"/140mm)



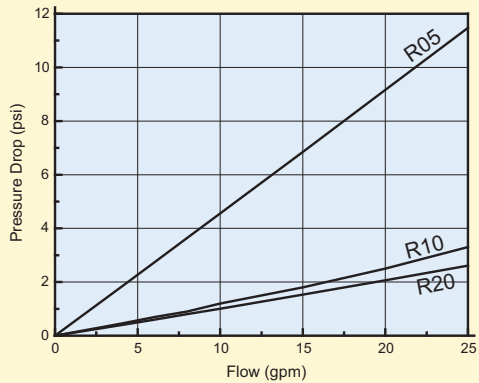
Viscosity Correction Formula

$$\Delta P \text{ Element} = \text{psid from catalog} \times \frac{\text{New Viscosity (SUS)}}{150} \times \frac{\text{New Specific Gravity}}{0.90}$$

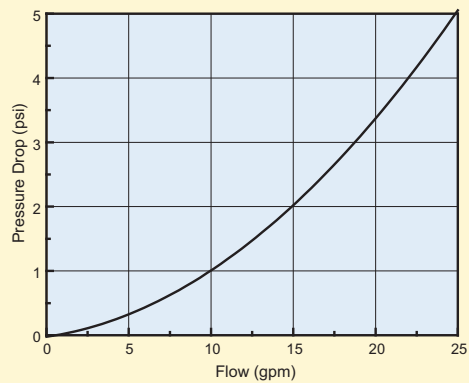
$$\Delta P \text{ Housing} = \text{psid from catalog} \times \frac{\text{New Specific Gravity}}{0.90}$$

$$\Delta P \text{ Assembly} = \Delta P \text{ Element} + \Delta P \text{ Housing}$$

WM25 Element Only (9.5"/242mm)



WM25 Head Only



LOW PRESSURE SPIN-ON FILTERS

MEDIUM PRESSURE SPIN-ON FILTERS

IN-TANK FILTERS

LOW PRESSURE FILTERS

MEDIUM PRESSURE FILTERS

HIGH PRESSURE FILTERS

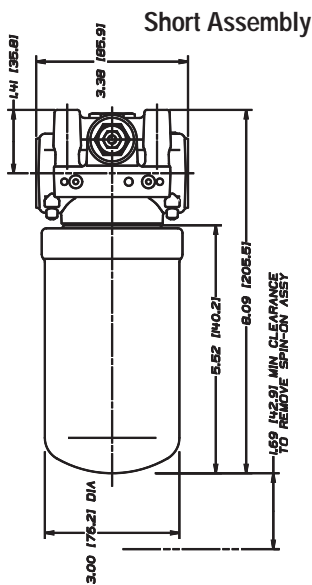
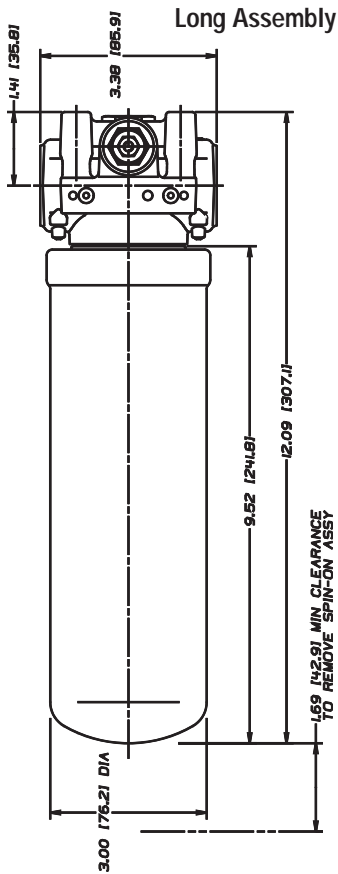
Head Assemblies - Single					
WFD HEAD ASSY P/N	PORT SIZE	SEAL	BYPASS SETTING	VISUAL INDICATOR STYLE LOCATION	PORTED FOR ELECTRICAL INDICATOR
WM251A1JNB	3/4" SAE-12	BUNA-N	NO BYPASS	JN	YES
WM251A4JNB	3/4" SAE-12	BUNA-N	50 PSID	JN	YES
WM251A44DB	3/4" SAE-12	BUNA-N	50 PSID	VISUAL (4D)	YES

Elements				
WFD ELEMENT P/N	BETA RATING	COLLAPSE RATING	LENGTH	SEAL
EM251B1R05	B5 \geq 200	150 PSID	5.5"	BUNA-N
EM251B1R20	B20 \geq 200	150 PSID	5.5"	BUNA-N
EM251B3R05	B5 \geq 200	150 PSID	9.5"	BUNA-N
EM251B3R10	B10 \geq 200	150 PSID	9.5"	BUNA-N
EM251B3R20	B20 \geq 200	150 PSID	9.5"	BUNA-N

Indicators				
WFD INDICATOR P/N	CODE	DESCRIPTION	USE WITH BYPASS	SEAL
P-239820	4AO	STYLE A, SINGLE POST DC	50 PSID	BUNA-N
P-239819	3BO	STYLE B, DC 2-WIRE, CANNON CONNECTOR	25 PSID	BUNA-N
P-239822	4BO	STYLE B, DC 2-WIRE, PACKARD WEATHER PACK CONNECTOR	50 PSID	BUNA-N
P-239827	4D	STYLE D, VISUAL	50 PSID	BUNA-N

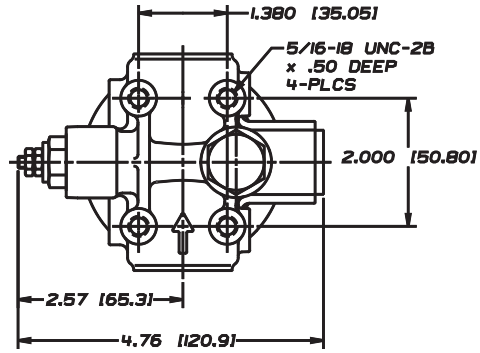
Dimensions: inches/(millimeters)

Assembly - Side View

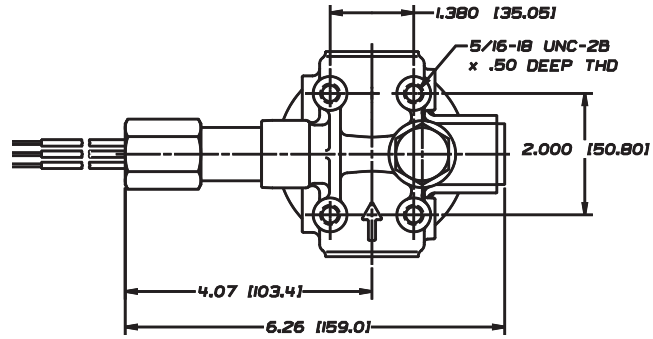


Head with Indicators

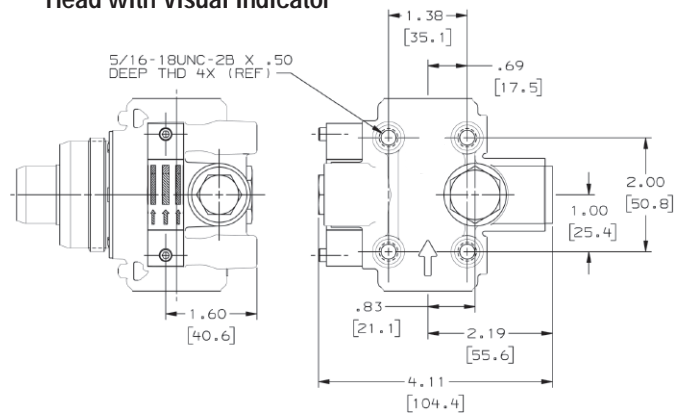
Head with DC Electrical Indicator



Head with AC/DC Electrical Indicator



Head with Visual Indicator



FEATURES

The WM35 (single) and WM60 (duplex) offer 2 flow ratings using the same elements keeping replacement inventories easier and less costly.

The WM35/60 series are completely interchangeable with several other competitive filters in fit, form, and function, as are the replacement elements.

A wide variety of bypass indicators are available to suit customer requirements.

R-Pak™ microglass media is available with ratings of 5µ(c), 10µ(c) and 20µ(c).

Elements are available in 6" (assembly code 1) and 9.4" (assembly code 3) and are compatible with petroleum oils water glycol, oil water, HWCF and certain synthetic fluids.

Technical Data:

Maximum Working Pressure	500 PSI
Rated Burst Pressure	2,000 PSI (138 bar)
Temperature Range	(-) 20° F to (+)250° F (-) 29° C to (+)121°C
Head Material	Die cast aluminum
Element Housing	Steel
Weight	
WM35 Assembly code length 1	3.9 Lbs (1.8kg)
WM35 Assembly code length 3	4.8 Lbs (2.2kg)
WM60 Assembly code length 3	13 Lbs (5.9kg)

WM35/60

WM35 35 gpm (130 l/min)

WM60 60 gpm (230 l/min)

Available in single or dual head configurations for greater application flexibility and commonality of replacement elements.

Excellent choice for hydrostatic charge pump filtration for primary pump protection

Bypass options from 5 PSID to 50 PSID

Wide range of electrical and visual ΔP indicators

Compatible with various fluids

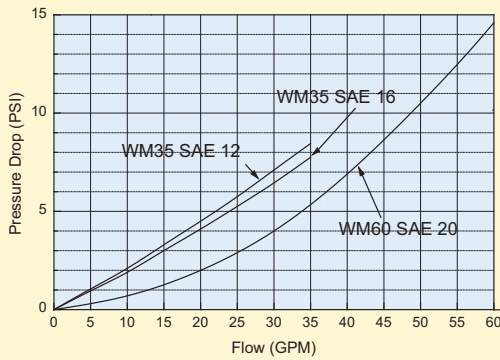


Housing and Filter Element

Flow versus Pressure Drop

150 SUS (32 cSt.) oil with specific gravity ≤ 0.9

WM35/60 Heads Only



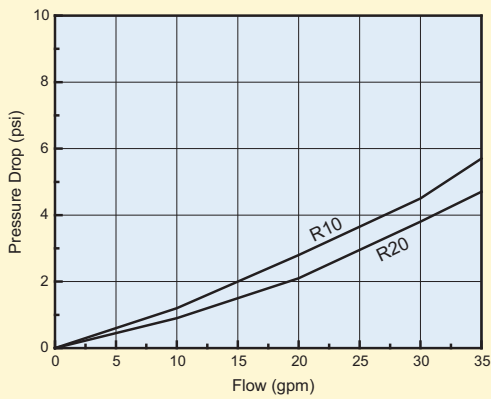
Viscosity Correction Formula

$$\Delta P \text{ Element} = \text{psid from catalog} \times \frac{\text{New Viscosity (SUS)}}{150} \times \frac{\text{New Specific Gravity}}{0.90}$$

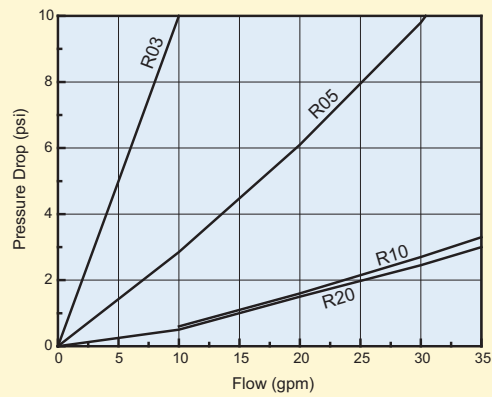
$$\Delta P \text{ Housing} = \text{psid from catalog} \times \frac{\text{New Specific Gravity}}{0.90}$$

$$\Delta P \text{ Assembly} = \Delta P \text{ Element} + \Delta P \text{ Housing}$$

WM35/60 Short Filter Only (6"/152mm)



WM35/60 Long Filter Only (9.4"/240mm)



Head Assemblies - Single					
WFD HEAD ASSY P/N	PORT SIZE	SEAL	BYPASS SETTING	VISUAL INDICATOR STYLE LOCATION	PORTED FOR ELECTRICAL INDICATOR
WM351A3JNB	3/4" SAE-12	BUNA-N	25 PSID	NONE	NO
WM351A33DLSB	3/4" SAE-12	BUNA-N	25 PSID	3DLS	NO
WM351A13DLSB	3/4" SAE-12	BUNA-N	25 PSID	3DLS	NO
WM351A1JNB	3/4" SAE-12	BUNA-N	NONE	NONE	NO
WM351A14DLSB	3/4" SAE-12	BUNA-N	NONE	4DLS	NO
WM351B2JNB	1" SAE-16	BUNA-N	15 PSID	NONE	YES
WM351B3JNB	1" SAE-16	BUNA-N	25 PSID	NONE	NO
WM351B33DLSB	1" SAE-16	BUNA-N	25 PSID	EDLS	NO
WM351B33DBSB	1" SAE-16	BUNA-N	25 PSID	3DBS	YES
WM351B13DBSB	1" SAE-16	BUNA-N	NONE	3DBS	YES
WM351B44DRSB	1" SAE-16	BUNA-N	50 PSID	4DRS	YES
WM351B1JNB	1" SAE-16	BUNA-N	NONE	NONE	NO
WM351B4JNB	1" SAE-16	BUNA-N	50 PSID	NONE	NO
WM351B55DBSB	1" SAE-16	BUNA-N	5 PSID	5DBS	YES
WM351I3JNB	3/4" NPT	BUNA-N	25 PSID	NONE	NO
WM351I33DLSB	3/4" NPT	BUNA-N	25 PSID	3DLS	NO
WM351Y33DBSB	1" NPT	BUNA-N	25 PSID	3DBS	YES
WM351Y3JNB	1" NPT	BUNA-N	25 PSID	NONE	NO
WM351Y33DLSB	1" NPT	BUNA-N	25 PSID	3DLS	NO
WM351Y13DLSB	1" NPT	BUNA-N	NONE	3DLS	NO
WM351Y33DDLSB	1" NPT	BUNA-N	25 PSID	3DLS	NO

Note: For Style D Indicator, Indicate location by adding suffix: LS, RS, or BS (LS=Left Side installed, RS=Right Side installed, BS=Both Side installed.)

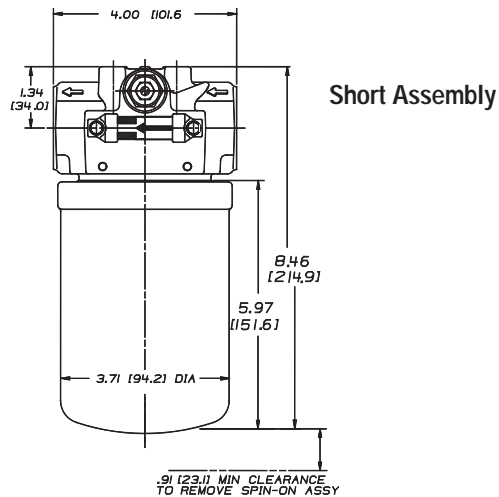
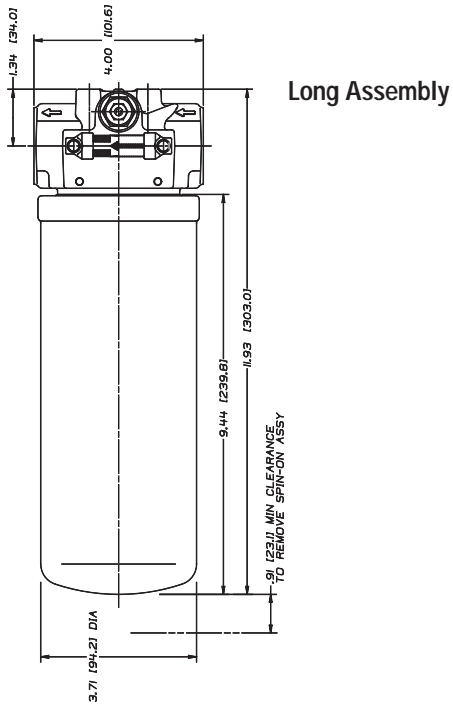
Head Assemblies - Double					
WFD HEAD ASSY P/N	PORT SIZE	SEAL	BYPASS SETTING	VISUAL INDICATOR STYLE LOCATION	PORTED FOR ELECTRICAL INDICATOR
WM601C1JNB	1-1/4" SAE-20	BUNA-N	NONE	JN	YES
WM601G44JNB	1-1/4" SAE-20	BUNA-N	50 PSID	JN	YES

Elements					
WFD ELEMENT P/N	BETA RATING	COLLAPSE RATING	LENGTH	SEAL	
EM351B1R10	B10>/=200	150 PSID	6.0"	BUNA-N	
EM351B1R20	B20>/=200	150 PSID	6.0"	BUNA-N	
EM351V3R03	B3>/=200	150 PSID	9.4"	VITON-A	
EM351B3R05	B5>/=200	150 PSID	9.4"	BUNA-N	
EM351B3R10	B10>/=200	150 PSID	9.4"	BUNA-N	
EM351B3R20	B20>/=200	150 PSID	9.4"	BUNA-N	
EM352B1R20	B20>/=200	300 PSID	6.0"	BUNA-N	
EM352B3R20	B20>/=200	300 PSID	9.4"	BUNA-N	

Indicators				
WFD INDICATOR P/N	CODE	DESCRIPTION	USE WITH BYPASS	SEAL
P-239815	5AO	STYLE A, SINGLE POST DC, OPENED	5 PSID	BUNA-N
P-239816	2AO	STYLE A, SINGLE POST DC, OPENED	15 PSID	BUNA-N
P-239817	3AC	STYLE A, SINGLE POST DC, CLOSED	25 PSID	BUNA-N
P-239818	3AO	STYLE A, SINGLE POST DC, OPENED	25 PSID	BUNA-N
P-239819	3BO	STYLE B, DC 2-WIRE, CANNON CONNECTOR	25 PSID	BUNA-N
P-239820	4AO	STYLE A, SINGLE POST DC, OPENED	50 PSID	BUNA-N
P-239821	4AC	STYLE A, SINGLE POST DC, CLOSED	50 PSID	BUNA-N
P-239822	4BO	STYLE B, DC 2-WIRE, PACKARD WEATHER PACK CONNECTOR	50 PSID	BUNA-N
P-239823	2D	STYLE D, VISUAL	15 PSID	BUNA-N
P-239824	3D	STYLE D, VISUAL	25 PSID	BUNA-N
P-239825	4D	STYLE D, VISUAL	50 PSID	BUNA-N
P-239826	JN (PLUGGED)	NO INDICATOR (PLUGGED)	N/A	BUNA-N

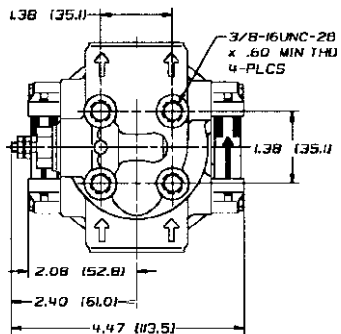
Dimensions: inches/(millimeters)

Assembly - Side View

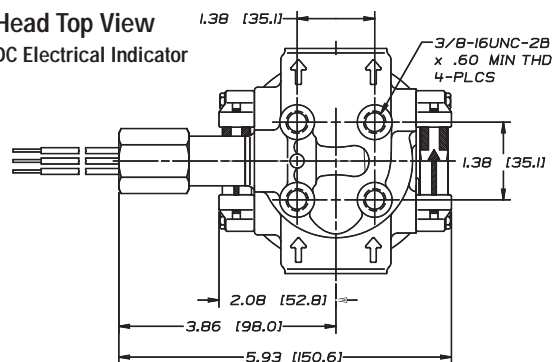


Heads - Top & Side Views

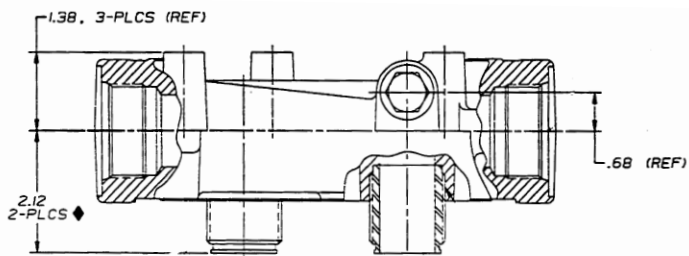
WM35 Head
 Top View
 with DC Electrical
 Indicator



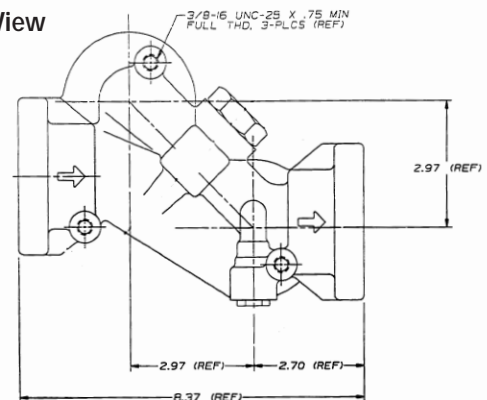
WM35 Head Top View
 with AC/DC Electrical Indicator



WM60 Head Side View



WM60 Head Top View



FEATURES

The WM50 (single) and WM100 (duplex) offer 2 flow ratings using the same elements keeping replacement inventories easier and less costly.

The WM50/100 series are completely interchangeable with several other competitive filters in fit, form, and function, as are the replacement elements.

A wide variety of bypass indicators are available to suit customer requirements.

R-Pak™ microglass media is available with ratings of 5µ(c), 10µ(c) and 20µ(c). Stainless Steel 150µ (nominal) Z150 media is available for the 11.6” canister length.

Elements are available in 11.63" (assembly code length 3) and 13.2" (assembly code length 4) and are compatible with petroleum oils, water glycol, oil/water, HWCF, and certain synthetic fluids.

Technical Data:

Maximum Working Pressure	350 PSI (24.1)
Rated Burst Pressure	800 PSI (55.2 bar)
Temperature Range	(-) 20° F to (+)250° F (-) 29° C to (+)121°C
Head Material	Die cast aluminum Ductile Iron available for WM100
Element Housing	Steel
Weight	
WM50 Single	7.5 LBS (3.4 kg)
WM100 Duplex	16 LBS (7.3 kg)

WM50/100

WM50 50 gpm (189.3 l/min)
WM100 100 gpm (378.5 l/min)

Available in single or dual head configurations for greater application flexibility and commonality of replacement elements.

Excellent alternative to larger return line filters. Built to withstand the higher shocks prevalent on some dump truck applications or other high-flow cyclic return lines.

Bypass options from 5 PSID to 50 PSID

Wide range of electrical and visual ΔP indicators

Compatible with various fluids

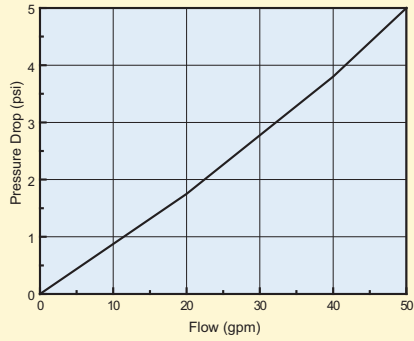


Housing and Filter Element

Flow versus Pressure Drop

150 SUS (32 cSt.) oil with specific gravity ≤ 0.9

WM50 (single) Head Only



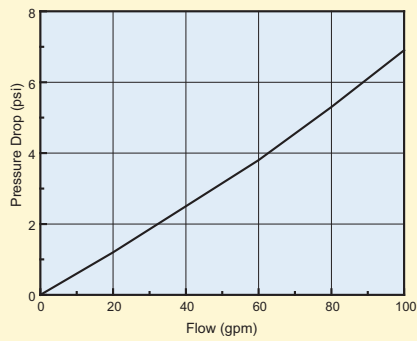
Viscosity Correction Formula

$$\Delta P \text{ Element} = \text{psid from catalog} \times \frac{\text{New Viscosity (SUS)}}{150} \times \frac{\text{New Specific Gravity}}{0.90}$$

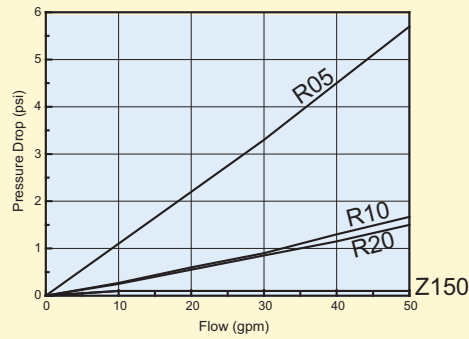
$$\Delta P \text{ Housing} = \text{psid from catalog} \times \frac{\text{New Specific Gravity}}{0.90}$$

$$\Delta P \text{ Assembly} = \Delta P \text{ Element} + \Delta P \text{ Housing}$$

WM100 (double) Head Only



WM50/100 Filter Only



LOW PRESSURE SPIN-ON FILTERS

MEDIUM PRESSURE SPIN-ON FILTERS

IN-TANK FILTERS

LOW PRESSURE FILTERS

MEDIUM PRESSURE FILTERS

HIGH PRESSURE FILTERS

Head Assemblies - Single					
WFD HEAD ASSY P/N	PORT SIZE	SEAL	BYPASS SETTING	VISUAL INDICATOR STYLE LOCATION	PORTED FOR ELECTRICAL INDICATOR
WM502C33DBSB	1-1/4" SAE-20	BUNA-N	25 PSID	3DBS	YES
WM502C3JNB	1-1/4" SAE-20	BUNA-N	25 PSID	NONE	NO
WM502C13DBSB	1-1/4" SAE-20	BUNA-N	NONE	3DBS	YES
WM502C13DRSB	1-1/4" SAE-20	BUNA-N	NONE	3DRS	NO
WM502C14DBSB	1-1/4" SAE-20	BUNA-N	NONE	4DBS	YES
WM502P33DBSB	1-1/4" NPT	BUNA-N	25 PSID	3DBS	YES
WM502P33DLSB	1-1/4" NPT	BUNA-N	25 PSID	3DLS	NO

Note: For Style D Indicator, Indicate location by adding suffix: LS, RS, or BS (LS=Left Side installed, RS=Right Side installed, BS=Both Side installed.)

Head Assemblies - Double					
WFD HEAD ASSY P/N	PORT SIZE	SEAL	BYPASS SETTING	VISUAL INDICATOR STYLE LOCATION	PORTED FOR ELECTRICAL INDICATOR
WM1002D33DBSB	1-1/2" SAE-24	BUNA-N	25 PSID	3DBS	YES
WM1002U33DBSB	1-1/2" NPT	BUNA-N	25 PSID	3DBS	YES
WM1002E33DBSB	1-1/2" SAE 4-BOLT	BUNA-N	25 PSID	3DBS	YES
WM1002E13DBSB	1-1/2" SAE 4-BOLT	BUNA-N	NONE	3DBS	YES
WM1002E44DRHB	1-1/2" SAE 4-BOLT	BUNA-N	50 PSID	4DRH	YES

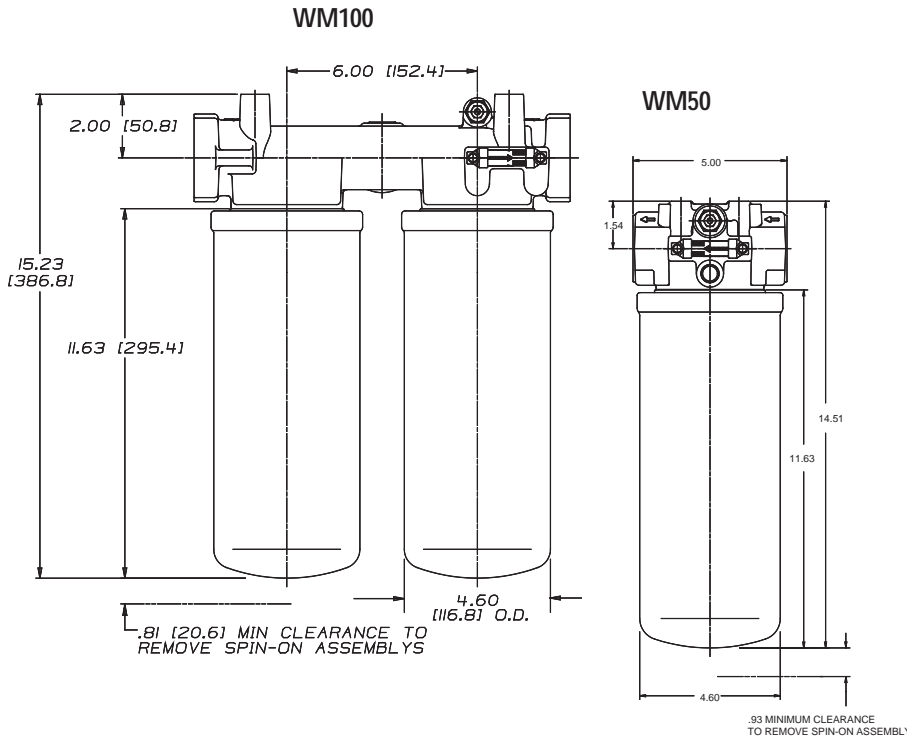
Note: For Style D Indicator, Indicate location by adding suffix: LS, RS, or BS (LS=Left Side installed, RS=Right Side installed, BS=Both Side installed.)

Elements				
WFD ELEMENT P/N	BETA RATING	COLLAPSE RATING	LENGTH	SEAL
EM1002B3R05	B05>/=200	200 PSID	11.6"	BUNA-N
EM1002V3R05	B05>/=200	200 PSID	11.6"	VITON A
EM1002B3R10	B10>/=200	200 PSID	11.6"	BUNA-N
EM1002B3R20	B20>/=200	200 PSID	11.6"	BUNA-N
EM1002V3R20	B20>/=200	200 PSID	11.6"	VITON A
EM1002B3Z150	N/A	200 PSID	11.6"	BUNA-N
EM1002B4R03	B03>/=200	200 PSID	14.2"	BUNA-N

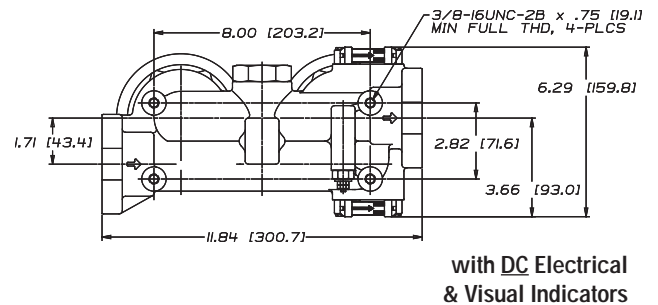
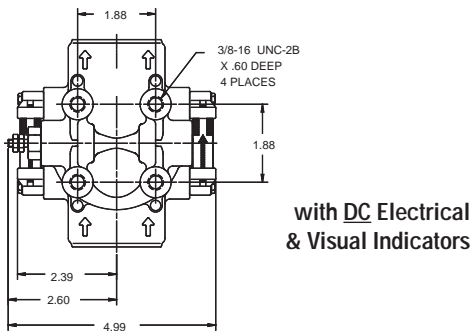
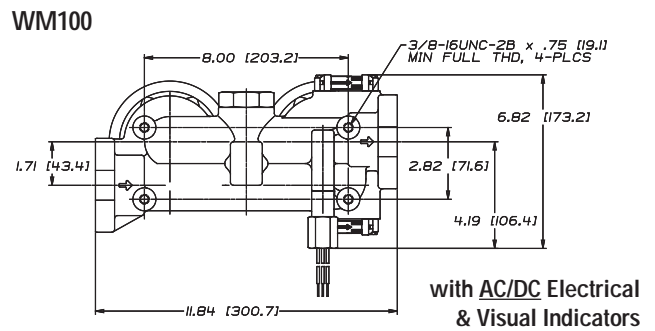
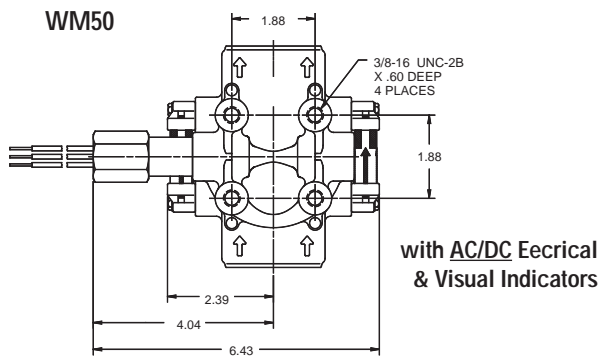
Indicators				
WFD INDICATOR P/N	CODE	DESCRIPTION	USE WITH BYPASS	SEAL
P-239815	5AO	STYLE A, SINGLE POST DC, OPENED	5 PSID	BUNA-N
P-239816	2AO	STYLE A, SINGLE POST DC, OPENED	15 PSID	BUNA-N
P-239817	3AC	STYLE A, SINGLE POST DC, CLOSED	25 PSID	BUNA-N
P-239818	3AO	STYLE A, SINGLE POST DC, OPENED	25 PSID	BUNA-N
P-239819	3BO	STYLE B, DC 2-WIRE, CANNON CONNECTOR	25 PSID	BUNA-N
P-239820	4AO	STYLE A, SINGLE POST DC, OPENED	50 PSID	BUNA-N
P-239821	4AC	STYLE A, SINGLE POST DC, CLOSED	50 PSID	BUNA-N
P-239822	4BO	STYLE B, DC 2-WIRE, PACKARD WEATHER PACK CONNECTOR	50 PSID	BUNA-N
P-239823	2D	STYLE D, VISUAL	15 PSID	BUNA-N
P-239824	3D	STYLE D, VISUAL	25 PSID	BUNA-N
P-239825	4D	STYLE D, VISUAL	50 PSID	BUNA-N
P-239826	JN (PLUGGED)	NO INDICATOR (PLUGGED)	N/A	BUNA-N

Dimensions: inches/(millimeters)

Assembly - Side View



Head - Top View



ΔP Indicators for Westmax Filter Series Only

CODE	PART#	DESCRIPTION	STYLE	USE WITH BYPASS	SEALS
WM25 VISUAL & ELECTRICAL INDICATORS					
3BO	P-239819	D.C. 2-Wire	B	25 PSID	Buna N
4AO	P-239820	Single Post D.C.	A	50 PSID	Buna N
4BO	P-239822	D.C. 2-Wire	B	50 PSID	Buna N
4D	P-239827	Visual	D	50 PSID	Buna N
WM35 ELECTRICAL INDICATORS					
2AO	P-239816	Single Post D.C.	A	15 PSID	Buna N
3AC	P-239817	Single Post D.C. N/C	A	25 PSID	Buna N
3AO	P-239818	Single Post D.C. N/O	A	25 PSID	Buna N
3BO	P-239819	D.C. 2-Wire	B	25 PSID	Buna N
4AC	P-239821	Single Post D.C. N/C	B	50 PSID	Buna N
4AO	P-238920	Single Post D.C. N/O	A	50 PSID	Buna N
4BO	P-239822	D.C. 2-Wire	B	50 PSID	Buna N
5AO	P-239815	Single Post D.C.	A	5 PSID	Buna N
WM35 VISUAL INDICATORS					
2D	P-239823	Visual	D	15 PSID	Buna N
3D	P-239824	Visual	D	25 PSID	Buna N
4D	P-239825	Visual	D	50 PSID	Buna N
JN	P-239826	Plugged	Blank Plate	N/A	Buna N



Indicator Style "A"
 DC Single Post
 Electrical Indicator
 Maximum: 200mA DC @30V DC

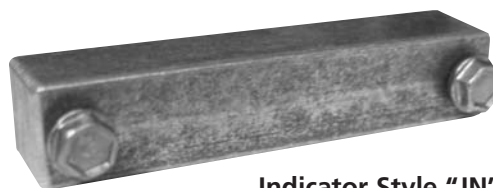


Indicator Style "B"
 DC Two Wire
 Electrical Indicator
 Maximum: 200mA DC @ 30V DC

CODE	PART#	DESCRIPTION	STYLE	USE WITH BYPASS	SEALS
WM50 ELECTRICAL INDICATORS					
2AO	P-239816	Single Post D.C.	A	15 PSID	Buna N
3AC	P-239817	Single Post D.C. N/C	A	25 PSID	Buna N
3AO	P-239818	Single Post D.C. N/O	A	25 PSID	Buna N
3BO	P-239819	D.C. 2-Wire	B	25 PSID	Buna N
4AC	P-239821	Single Post D.C. N/C	A	50 PSID	Buna N
4AO	P-239820	Single Post D.C. N/O	A	50 PSID	Buna N
4BO	P-239822	D.C. 2-Wire	B	50 PSID	Buna N
5AO	P-239815	Single Post D.C.	A	5 PSID	Buna N
WM50 VISUAL INDICATORS					
2D	P-239823	Visual	D	15 PSID	Buna N
3D	P-239824	Visual	D	25 PSID	Buna N
4D	P-239825	Visual	D	50 PSID	Buna N
JN	P-239826	Plugged	Blank Plate	N/A	Buna N



Indicator Style "D"
Visual Indicator



Indicator Style "JN"
No Indicator Blank

LOW PRESSURE
SPIN-ON FILTERS

MEDIUM PRESSURE
SPIN-ON FILTERS

IN-TANK FILTERS

LOW PRESSURE FILTERS

MEDIUM PRESSURE FILTERS

HIGH PRESSURE FILTERS