



New Fluidyne Valves

Directional Valves D03 & D05

Needle Valves

Stak Valves: PO Check, Reducing,

Flow Control, Check, Relief

Excellence
Under
Pressure™

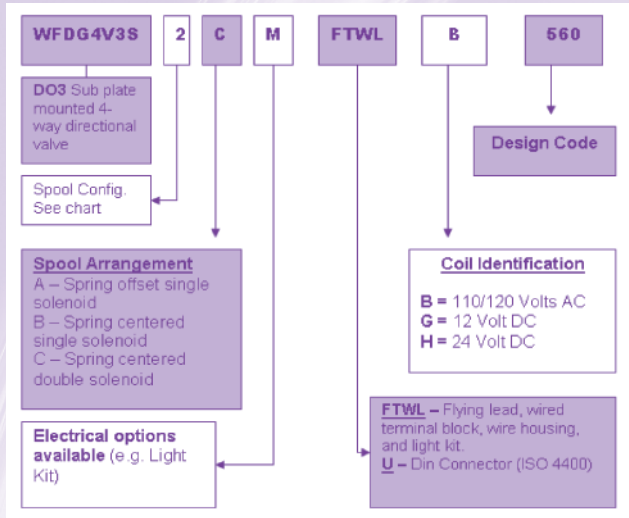


www.wfdyne.com

4 Way 3 and 2 position solenoid operated directional valves for D05 and D03 valves with a variety of voltage and spool configurations.

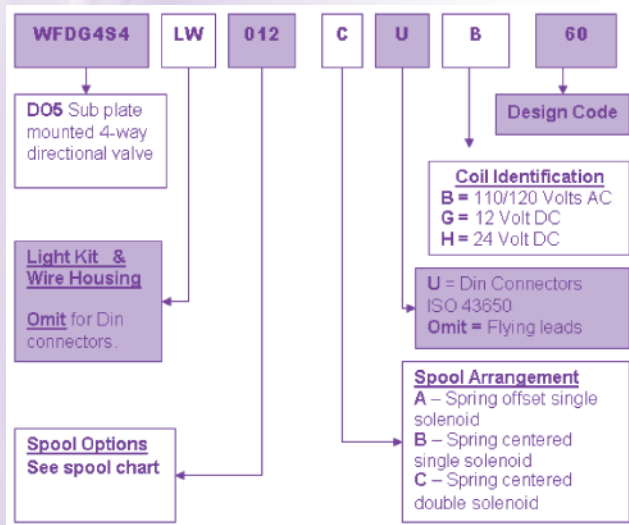


WFDG4V3 Model Code Table (D03)



- D03 & D05
- Flow rate 14 GPM for D03
- Flow rate 22 GPM for D05
- 350 bar / 5000 PSI
- Endurance tested to 10 million cycles
- Two year warranty
- Cost effective replacement to Rexroth, Bosch, Vickers, and Parker with superior performance
- Large inventory allows same day shipment in most cases.

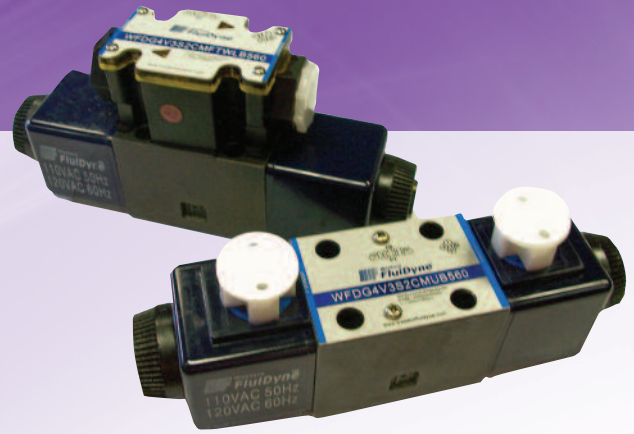
WFDG4S4 Model Code Table (D05)



Spool	Center Position	B	A	C
0				
2				
6				
7				
8				

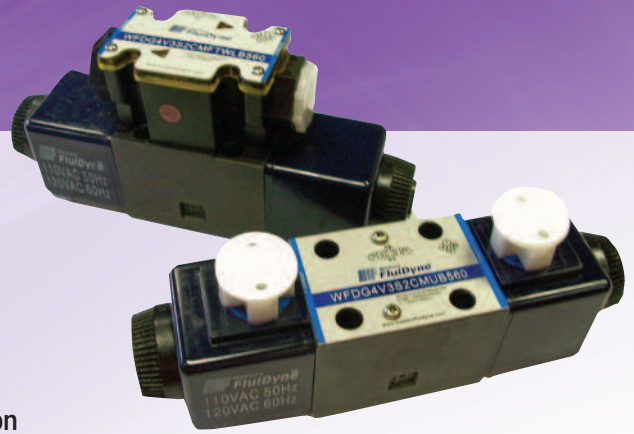
WFDG4V3 – Hydraulic Directional Valve D03

Subplate / Manifold Mounted
 Solenoid Operated
 P, A, B Pressure Rated 5000 psi (350 bar)
 T Pressure Rate at 3000 psi
 Flows to 14 GPM (54 l/m)
 Wiring box is 1/2" NPT thread
 DIN female connection plugs included


120 VAC Coils 60 HZ – D03

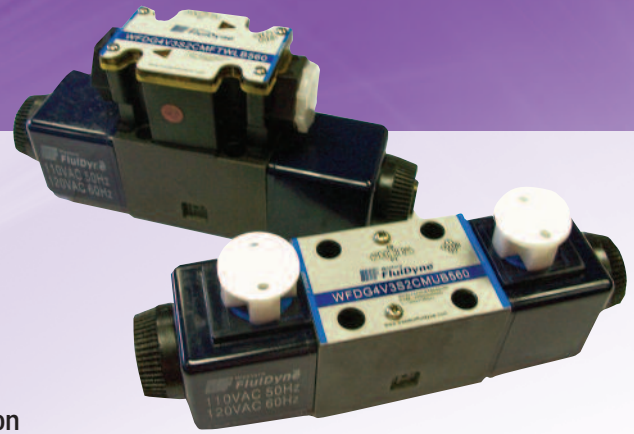
Spool	Valves	Description
2C	WF DG4V3S2CMFTWLB560	Wiring box, spring centered, two solenoids, light kit, 120 VAC 50/60 HZ
2C	WF DG4V3S2CMUB560	Din connectors, spring centered, two solenoids, 120 VAC, 50/60 HZ
6C	WF DG4V3S6CMFTWLB560	Wiring box, spring centered, two solenoids, light kit, 120 VAC, 50/60 HZ
6C	WF DG4V3S6CMUB560	Din connectors, spring centered, two solenoids, 120 VAC, 50/60 HZ
8C	WF DG4V3S8CMFTWLB560	Wiring box, spring centered, two solenoids, light kit, 120 VAC, 50/60 HZ
8C	WF DG4V3S8CMUB560	Din connectors, spring centered, two solenoids 120 VAC, 50/60 HZ
2A	WF DG4V3S2AMFTWLB560	Spring Offset, "A" port, Wiring Box, single Solenoid light kit, 120 VAC 50/60 HZ
2A	WF DG4V3S2AMUB560	Spring Offset, "A" port, Din Connector, single, solenoid, 120 VAC 50/60 HZ
0C	WF DG4V3S0CMFTWLB560	Wiring box, spring centered, two solenoids, light kit, 120 VAC, 50/60 HZ
7C	WF DG4V3S7CMFTWLB560	Wiring box, spring centered, two solenoids, light kit, 120 VAC, 50/60 HZ

*Note: See page 7 for spool function chart.
 D03 valves have (4) # 10-24"x (45mm) 1 3/4" bolts included.*

WFDG4V3 – Hydraulic Directional Valve D03
24 VDC Coils – D03


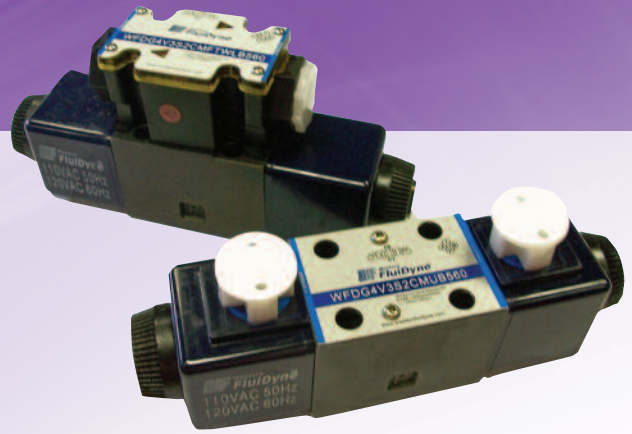
Spool	Valves	Description
2C	WF DG4V3S2CMFTWLH560	Wiring box, spring centered, two solenoids, light kit, 24 VDC
2C	WF DG4V3S2CMUH560	Din connectors, spring centered, two solenoids 24 VDC
6C	WF DG4V3S6CMFTWLH560	Wiring box, spring centered, two solenoids, light Kit, 24 VDC
6C	WF DG4V3S6CMUH560	Din connectors, spring centered, two solenoids 24 VDC
2A	WF DG4V3S2AMFTWLH560	Spring Offset, "A" port, Wiring Box, single solenoid, light kit, 24 VDC
2A	WF DG4V3S2AMUH560	Spring Offset, "A" port, Din Connector, single Solenoid, 24 VDC
7C	WF DG4V3S7CMFTWLH560	Din connectors, spring centered, two solenoids, 24 VDC

*Note: See page 7 for spool function chart.
D03 valves have (4) # 10-24"x (45mm) 1 3/4" bolts included.*


WFDG4V3 – Hydraulic Directional Valve D03
12 VDC Coils – D03

Spool	Valves	Description
2C	WF DG4V3S2CMFTWLG560	Wiring box, spring centered, two solenoids, 12 VDC
2C	WF DG4V3S2CMUG560	Din connectors, spring centered, two solenoids 12 VDC
6C	WF DG4V3S6CMFTWLG560	Wiring box, spring centered, two solenoids, 12 VDC
6C	WF DG4V3S6CMUG560	Din connectors, spring centered, two solenoids 12 VDC
2A	WF DG4V3S2AMFTWLG560	Spring Offset, "A" port, Wiring Box, single solenoid, 12 VDC
2A	WF DG4V3S2AMU560	Spring Offset, "A" port, Din Connector, single solenoid, 12 VDC

*Note: See page 7 for spool function chart.
D03 valves have (4) # 10-24"x (45mm) 1 3/4" bolts included.*

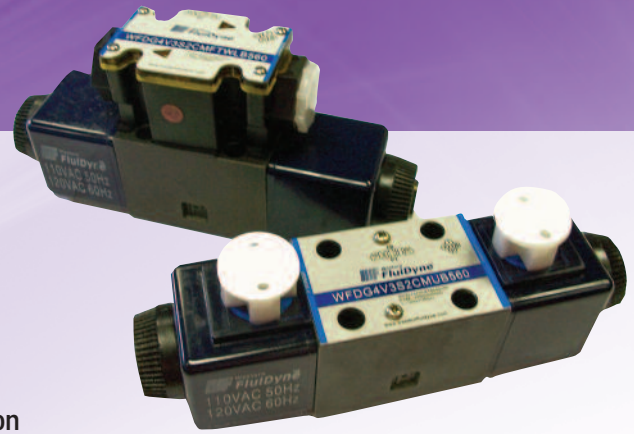

WFDG4S4 – Hydraulic Directional D05

Subplate / Manifold Mounted
 Solenoid Operated
 P, A, B Pressure Rated 5000 psi (350 bar)
 T Pressure Rate at 1450 psi
 Flows to 21.5 GPM (80 l/m)
 Wiring box is 1/2" NPT thread
 DIN female connection plugs included

120 VAC Coils 60 HZ – D05

Spool	Valves	Description
2A	WF DG4S4LW012AB60	Wiring box, spring offset to "A" Single solenoid, Light kit, 120 VAC, 50/60 HZ
2A	WF DG4S4012AUB60	Din connectors, spring offset to "A" Single solenoid, 120 VAC, 50/60 HZ
2C	WF DG4S4LW012CB60	Wiring box, spring centered, two solenoids, Light kit, 120 VAC, 50/60 HZ
2C	WF DG4S4012CUB60	Din connectors, spring centered, two solenoids, 120 VAC, 50/60 HZ
6C	WF DG4S4LW016CB60	Wiring box, spring centered, two solenoids, Light kit, 120 VAC, 50/60 HZ
6C	WF DG4S4016CUB60	Din connectors, spring centered, two solenoids, 120 VAC, 50/60 HZ
8C	WF DG4S4LW018CB60	Wiring box, spring centered, two solenoids, Light kit, 120 VAC, 50/60 HZ
8C	WF DG4S4018CUB60	Din connectors, spring centered, two solenoids, 120 VAC, 50/60 HZ
7C	WF DG4S4LW017CB60	Wiring box, spring centered, two solenoids, Light kit, 120 VAC, 50/60 HZ

*Note: See page 7 for spool function chart.
 D05 valves have (4) # 10-24"x (45mm) 1 3/4" bolts included.
 Kit Part Number WFBK702504*

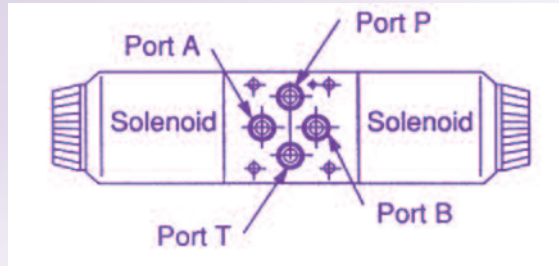
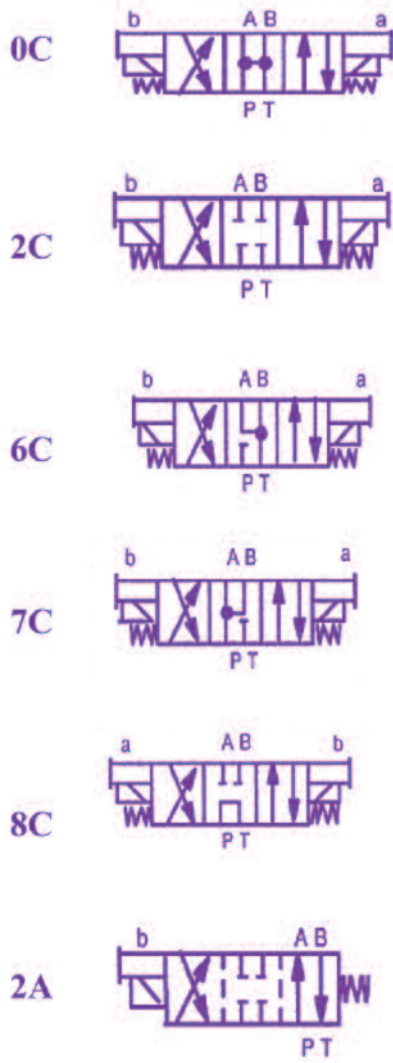

WFDG4S4 – Hydraulic Directional D05
24 VDC Coils – D05

Spool	Valves	Description
2C	WF DG4S4LW012CH60	Wiring box, spring centered, two solenoids, Light kit, 24 VDC
2A	WF DG4S4W012AH60	Wiring box, spring offset to "A" Single solenoid, Light kit, 24 VDC
2C	WF DG4S4012CUH60	Din connectors, spring centered, two solenoids, 24 VDC
2A	WF DG4S4012AUH60	Din connectors, spring offset to "A" Single solenoid, Light kit, 24 VDC
6C	WF DG4S4LW016CH60	Wiring box, spring centered, two solenoids, Light kit, 24 VDC
6C	WF DG4S4016CUH60	Din connectors, spring centered, two solenoids, 24 VDC
7C	WF DG4S4017CUH60	Din connectors, spring centered, two solenoids, 24 VDC

*Note: See page 7 for spool function chart.
D05 valves have (4) # 10-24"x (45mm) 1 3/4" bolts included.
Kit Part Number WFBK702504*

Hydraulic Directional Valves
Solenoids Standards:

Functional symbols related to solenoid identity "A" and / or "B" according to NFPA standards, i.e. energizing solenoid "A" gives flow P to B, solenoid "B" gives flow P to A.


Spool Type Configurations:

D03 Bolt Kits:

Valve	Length	Kit #
*Valve Only	1.75" (44.45 mm)	WFBK702500
Valve + 1 module	3.5" (88.9 mm)	WFBK702501
Valve + 2 modules	5" (127 mm)	WFBK702502
Valve + 3 modules	6.5" (165.10 mm)	WFBK702503

D05 Bolt Kits:

Valve	Length	Kit #
*Valve Only	1.5" (38.1 mm)	WFBK702504
Valve + 50 mm	3.75" (95.25 mm)	WFBK702505
Valve + 55 mm	3.75" (95.25 mm)	WFBK702506
Valve + 60 mm	3.75" (95.25 mm)	WFBK702506
Valve + 50 mm	6" (152.4 mm)	WFBK702508
Valve + 50 mm + 55 mm	6" (152.4 mm)	WFBK702509
Valve + 55 mm + 60 mm	6" (152.4 mm)	WFBK702510
Valve + 55 mm + 55 mm	6" (152.4 mm)	WFBK702510

*Included with WFD Valve WFBK Bolt Kits have (4) bolts in each kit


D03 Stack Valves
PO Check Valves: D03

14.5 psi check cracking pressure
Sandwich Thickness 40 mm

Valves:
Description:

WF DGMPC-3ABK BAK-41

Dual Cross over checks

WF DGMPC-3ABK-41

Check in "A", pilot from "B"

WF DGMPC-3BAK-41

Check in "B", pilot from "A"

Reducing Valves: D03

Pressure reduced in "P", piloted from "P"
Hand knob Adjustment
Sandwich Thickness 40 mm

Valves:
Description:

WF DGMX2 3 PP B-41

Adjustment range 50 to 1000 psi

WF DGMX2 3 PP C-41

Adjustment range 145 to 2000 psi

WF DGMX2 3 PP F-41

Adjustment range 290 to 3625 psi

WF DGMX2 3 PA B-41

Adjustment range 50 to 1000 psi

WF DGMX2 3 PA C-41

Adjustment range 145 to 2000 psi

WF DGMX2 3 PA F-41

Adjustment range 290 to 3625 psi

WF DGMX2 3 PB B-41

Adjustment range 50 to 1000 psi

WF DGMX2 3 PB C-41

Adjustment range 290 to 3625 psi

WF DGMX2 3 PB F-41

Adjustment range 290 to 3625 psi

Note: See page 7 for spool function chart.

D03 valves have (4) # 10-24"x (45mm) 1 3/4" bolts included.


D03 Stack Valves
Flow Control Valves: D03

**Hand Knob Adjustment
Sandwich Thickness 40 mm**

Valves:
Description:

WF DGMFN 3 Y A2W-41	Flow Control Meter-in A port
WF DGFN 3 X A2W-41	Flow Control Meter-out A port
WF DGMFN 3 Y B2W-41	Flow Control Meter-in B port
WF DGMFN 3 X B2W-41	Flow Control Meter-out B port
WF DGMFN 3 Y B2W A2W-41	Flow Control Meter-in A & B ports
WF DMFN 3 X B2W A2W-41	Flow Control Meter-out A & B ports

Check Valves: D03

Sandwich Thickness 40 mm

Valves:
Description:

WF DGMDC 3 T XL-41	Free flow away from actuator, Check in T port, 5 psi
WF DGMDC 3 A XL-41	Free flow away from actuator, Check in A port, 5 psi
WF DGMDC 3 B XL-41	Free flow away from actuator, Check in B port, 5 psi
WF DGMDC 3 P YL-41	Free flow towards actuator, Check in P port, 5 psi
WF DGMDC 3 T XR-41	Free flow away from actuator, Check in T port, 50 psi
WF DGMDC 3 A XR-41	Free flow away from actuator, Check in A port, 50 psi
WF DGMDC 3 B XR-41	Free flow away from actuator, Check in B port, 50 psi
WF DGMDC 3 P YR-41	Free flow towards actuator, Check in P port, 50 psi

*Note: See page 7 for spool function chart.
D03 valves have (4) # 10-24"x (45mm) 1 3/4" bolts included.*

D03 Stack Valves
Relief Valves: D03

Hand Knob Adjustment
Sandwich Thickness 40 mm


Valves:
Description:

WF DGMC3 PT B-41	Pressure in "P" relieved to "T", 44 psi thru 1450 psi
WF DGMC3 AT B-41	Pressure in "A" relieved to "T", 45 psi thru 1450 psi
WF DGMC3 BT B-41	Pressure in "B" relived to "T", 46 psi thru 1450 psi
WF DGMC3 AT B BT B-41	Dual Relief Pressure in "A" relieved to "T" Pressure in "B" port relieved to "T", 47 psi thru 1450 psi
WF DGMC3 PT C-41	Pressure in "P" relieved to "T", 500 psi thru 2000 psi
WF DGMC3 AT C-41	Pressure in "A" relieved to "T", 500 psi thru 2000 psi
WF DGMC3 BT C-41	Pressure in "B" relived to "T", 500 psi thru 2000 psi
WF DGMC3 AT C BT C-41	Dual Relief Pressure in "A" relieved to "T" Pressure in "B" port relieved to "T", 500 psi thru 2000 psi
WF DGMC3 AT F BT F-41	Dual Relief Pressure in "A" relieved to "T" Pressure in "B" port relieved to "T", 800 psi thru 3600 psi
WF DGMC3 PT F-41	Pressure in "P" relieved to "T", 800 psi thru 3600 psi
WF DGMC3 AT F-41	Pressure in "A" relieved to "T", 800 psi thru 3600 psi
WF DGMC3 BT F-41	Pressure in "B" relived to "T", 800 psi thru 3600 psi

*Note: See page 7 for spool function chart.
D03 valves have (4) # 10-24"x (45mm) 1 3/4" bolts included.*


D05 Stack Valves
P0 Check Valves: D05

14.5 psi check cracking pressure
Sandwich Thickness 50 mm

Valves:
Description:

WF DGMPC-5ABK BAK-41

Dual Cross over checks

WF DGMPC-5ABK-41

Check in "A", pilot from "B"

WF DGMPC-5BAK-41

Check in "B", pilot from "A"

Reducing Valves: D05

Pressure reduced in "P", piloted from "P" and reduced in "A" and "B"
Hand knob Adjustment
Sandwich Thickness 60 mm

Valves:
Description:

WF DGMX2 5 PP B-41

Adjustment range 50 to 1000 psi

WF DGMX2 5 PP C-41

Adjustment range 145 to 2000 psi

WF DGMX2 5 PP F-41

Adjustment range 290 to 3625 psi

WF DGMX2 5 PA B-41

Adjustment range 50 to 1000 psi

WF DGMX2 5 PA C-41

Adjustment range 145 to 2000 psi

WF DGMX2 5 PA F-41

Adjustment range 290 to 3625 psi

WF DGMX2 5 PB B-41

Adjustment range 50 to 1000 psi

WF DGMX2 5 PB C-41

Adjustment range 145 to 2000 psi

WF DGMX2 5 PB F-41

Adjustment range 290 to 3625 psi

Note: See page 7 for spool function chart.

D05 valves have (4) # 10-24"x (45mm) 1 3/4" bolts included.


D05 Stack Valves
Flow Control Valves: D05

Hand Knob Adjustment
Sandwich Thickness 55 mm

Valves:
Description:

WF DGMFN 5 Y A2W-41	Flow Control Meter-in A port
WF DGFN 5 X A2W-41	Flow Control Meter-out A Port
WF DGMFN 5 Y B2W-41	Flow Control Meter-in B port
WF DGMFN 5 X B2W-41	Flow Control Meter-out B port
WF DGMFN 5 Y B2W A2W-41	Flow Control Meter-in A & B ports
WF DGMFN 5 X B2W A2W-41	Flow Control Meter-out A & B ports

Check Valves: D05

Sandwich Thickness 55 mm

Valves:
Description:

WF DGMDC 5 T XL-41	Free flow away from actuator, Check in T port, 5 psi
WF DGMDC 5 A XL-41	Free flow away from actuator, Check in A port, 5 psi
WF DGMDC 5 B XL-41	Free flow away from actuator, Check in B port, 5 psi
WF DGMDC 5 P YL-41	Free flow towards actuator, Check in P port, 5 psi
WF DGMDC 5 T XR-41	Free flow away from actuator, Check in T port, 60 psi
WF DGMDC 5 A XR-41	Free flow away from actuator, Check in A port, 60 psi
WF DGMDC 5 B XR-41	Free flow away from actuator, Check in B port, 60 psi
WF DGMDC 5 P YR-41	Free flow towards actuator, Check in P port, 60 psi

*Note: See page 7 for spool function chart.
D05 valves have (4) # 10-24"x (45mm) 1 3/4" bolts included.*


D05 Stack Valves
Relief Valves: D05

**Hand Knob Adjustment
Sandwich Thickness 55 mm**

Valves:
Description:

WF DGMC5 PT B-41	Pressure in "P" relieved to "T", 48 psi thru 1450 psi
WF DGMC5 AT B-41	Pressure in "A" relieved to "T", 49 psi thru 1450 psi
WF DGMC5 BT B-41	Pressure in "B" relived to "T", 50 psi thru 1450 psi
WF DGMC5 AT B BT B-41	Dual Relief Pressure in "A" relieved to "T" Pressure in "B" port relieved to "T", 51 psi thru 1450 psi
WF DGMC5 PT C-41	Pressure in "P" relieved to "T", 100 psi thru 2000 psi
WF DGMC5 AT C-41	Pressure in "A" relieved to "T", 100 psi thru 2000 psi
WF DGMC5 BT C-41	Pressure in "B" relived to "T", 100 psi thru 2000 psi
WF DGMC5 AT C BT C-41	Dual Relief Pressure in "A" relieved to "T" Pressure in "B" port relieved to "T", 100 psi thru 2000 psi
WF DGMC5 PT F-41	Pressure in "P" relieved to "T", 125 psi thru 3600 psi
WF DGMC5 AT F-41	Pressure in "A" relieved to "T", 125 psi thru 3600 psi
WF DGMC5 BT F-41	Pressure in "B" relived to "T", 125 psi thru 3600 psi
WF DGMC5 AT F BT C-41	Dual Relief Pressure in "A" relieved to "T" Pressure in "B" port relieved to "T", 125 psi thru 3600 psi

*Note: See page 7 for spool function chart.
D05 valves have (4) # 10-24"x (45mm) 1 3/4" bolts included.*


Needle Valves
In-Line Flow Control Valves
Controls Flow in both Directions

WFD Part Number	Description	Parker Part Number (For reference only)
WF860144	1/4 inch NPT Female-Female	N400SFV
WF860145	3/8 inch NPT Female-Female	N600SFV
WF860146	1/2 inch NPT Female-Female	N800SFV
WF860147	3/4 inch NPT Female-Female	N1200SFV
WF860148	1 inch NPT Female-Female	N1600SFV
WF860149	1 1/4 inch NPT Female-Female	N2000SFV
WF860150	# 4 SAE Female –Female	N420SFV
WF860151	# 6 SAE Female –Female	N620SFV
WF860152	# 8 SAE Female –Female	N820SFV
WF860153	# 10 SAE Female –Female	N1020SFV
WF860154	# 12 SAE Female –Female	N1220SFV
WF860155	# 16 SAE Female –Female	N1620SFV
WF860156	# 20 SAE Female –Female	N2020SFV
WF860157	# 24 SAE Female –Female	N/A

Controls Flow in one Direction

WF860158	1/4 inch NPT Female-Female	F400SFV
WF860159	3/8 inch NPT Female-Female	F600SFV
WF860160	1/2 inch NPT Female-Female	F800SFV
WF860161	3/4 inch NPT Female-Female	F820SFV
WF860162	1 inch NPT Female-Female	F1600SFV
WF860163	1 1/4 inch NPT Female-Female	F2000SFV
WF860164	# 4 SAE Female –Female	F420SFV
WF860165	# 6 SAE Female –Female	F620SFV
WF860166	# 8 SAE Female –Female	F820SFV
WF860167	# 10 SAE Female –Female	F1020SFV
WF860168	# 12 SAE Female –Female	F1220SFV
WF860169	# 16 SAE Female –Female	F1620SFV
WF860170	# 20 SAE Female –Female	F2020SFV
WF860171	# 24 SAE Female –Female	F2420SFV